

Package Air Conditioners Decoration Panel Installation Manual

Be sure to read and follow the instructions before installing the product.

Standard panel BYCQ125EAF6/9, BYCQ125EEF6
BYCQ140EEF6, BYCQ48EAF6

1P565272-1C

Requests

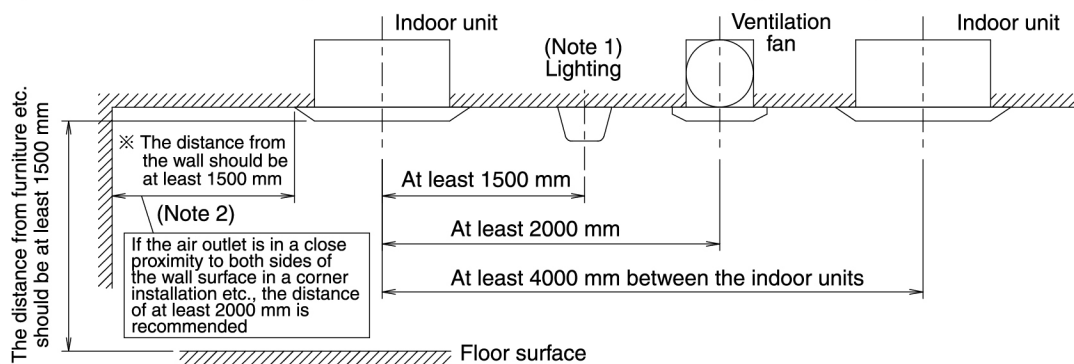
Show your customer how to properly operate this product (especially on the cleaning/operation behavior as well as the temperature control method of the air filter) by having the customer to actually operate the product while referring to the operation manual on the indoor unit and remote controller.

Caution The installation manual included in the indoor unit should be referred to together with the manual.

1 Selecting the location for the installation

«In this product, the air blow-out direction can be selected by closing the air outlet. Should you wish to do so, the air outlet shut-off material kit (sold separately) is required.»

Installing the product nearby the equipment, such as an air vent, lighting equipment that could disturb the airflow, the ceiling surface may become dirty even when the product is equipped with the decoration panel and therefore the product should be installed according to the figures below.



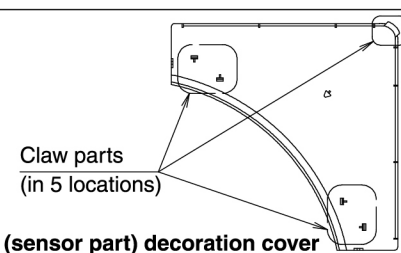
- Note 1. The distances are based on the exposed type lighting (such as an inverted type) and there are no constraints on the recessed type (the type installed flat to the ceiling surface).
2. When the air outlet was closed, the distance marked with ※ should be at least 500 mm and when the corner part (both the right and left sides of the corner part of the air outlet to be closed) as well as the air outlet were all closed, the distance will have to be at least 200 mm.
3. For the wind direction setting method of the swing flap, the operation manual included in the remote controller: **(Air Direction Individual Settings)** paragraph should be referred to.
4. This is an example of the circulation airflow setting being invalid. For details, shall refer installation manual attached to indoor unit.

2 Preparing the decoration panel

(1) Care should be taken in handling the decoration panel.

«Caution»

- The decoration panel should: never be placed with the design side face down; never be set leaning against any object and/or never be left on the surface with projections, so as to avoid damage on the design surface of the decoration panel.
- The swing flap should neither be touched nor forced. (May cause the swing flap to fail.)
- Care should be taken not to damage the claw parts (in 5 locations) on the corner part (sensor part) decoration cover that has been removed.



(3) Detach the corner part (sensor /IR part) decoration cover.

Lift up the corner part (sensor/IR part) decoration covers (in total of 4 locations) in the arrow direction to detach them.

(2) Detach the suction grille of the decoration panel and remove the transporting cardboard and tape.

- Lift up the suction grille, with the suction grille knob part pressed-in.
- Open the suction grille up to approximately 45° degree angle to remove it from the decoration panel.
- Remove the transporting cardboards (in 4 locations) from the decoration panel.
- Remove the transporting tapes (in 4 locations) from the back side of the suction grille.

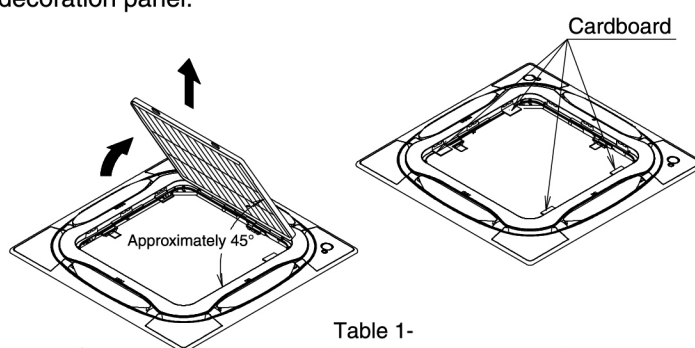
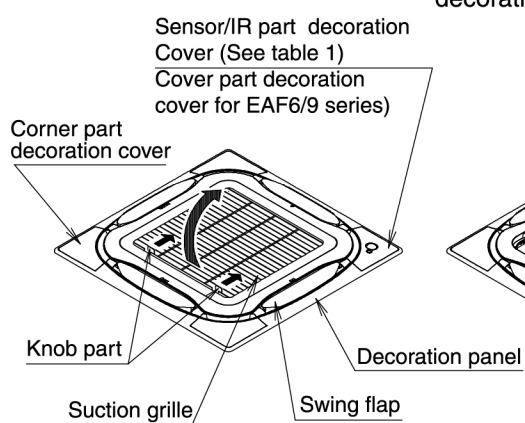


Table 1-

Model Name	Description	AA
BYCQ125/140EEF6	Cover with Sensor	X81A
BYCQ48EAF6	Cover with Infra Receiver	CNX1

The sensor/IR part decoration covers are connected to the decoration panel with sensor/IR lead wires. The sensor/IR lead wires should not be removed from the decoration panel and the sensor part decoration cover. (See table 1)

3 Mounting the decoration panel to the indoor unit

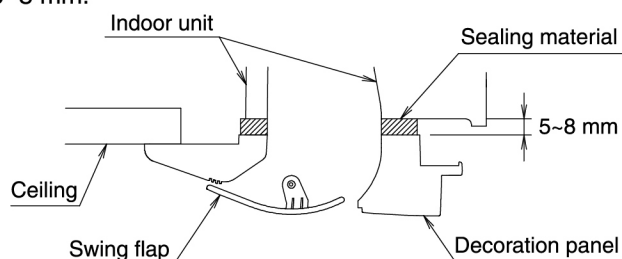
• For the installation of the indoor unit, refer to the installation manual included in the indoor unit.

(1) Align the stamped marks on the indoor unit and the decoration panel as follows:

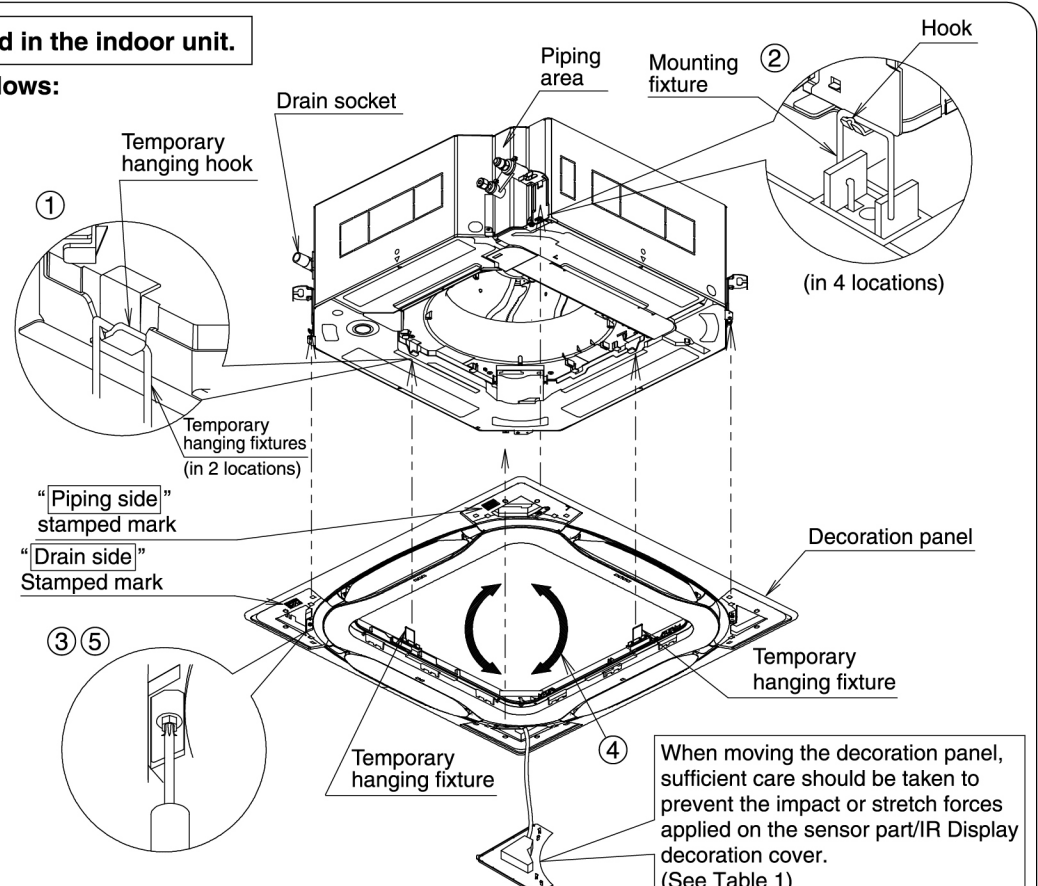
The piping part and "piping side", drain socket and the "drain side"

(2) Mount the decoration panel.

- Temporarily hang the temporary hanging fixtures (in 2 locations) of the decoration panel suction part (inner circumference side) to the temporary hanging hook of the indoor unit.
- Hook up the corner part mounting fixtures (in 4 locations) of the decoration panel to the outer circumference hook of the indoor unit. In this step, care should be taken so that the swing electric motor lead wire connector part and the sensor/IR display lead wire connector part (See table 1) would not be entrapped in between the decoration panel and the indoor unit.
- Tighten the hex head screws in all the 4 locations just under the mounting fixture by on the order of 5 mm. (The decoration panel will be lifted.)
- Adjust the position of the decoration panel by turning it in the arrow direction shown in the figure on the right, so that the ceiling opening part is completely hidden.
- Furthermore, tighten the screws ③ until the thickness of the sealing material in between the decoration panel and the indoor unit is compressed down to 5~8 mm.

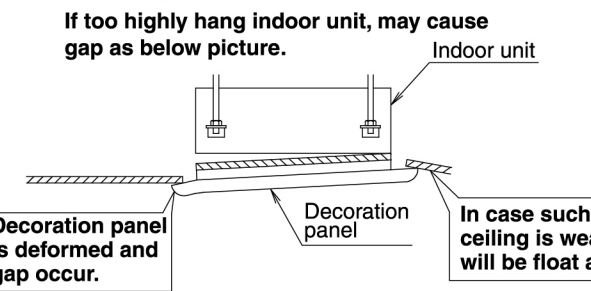
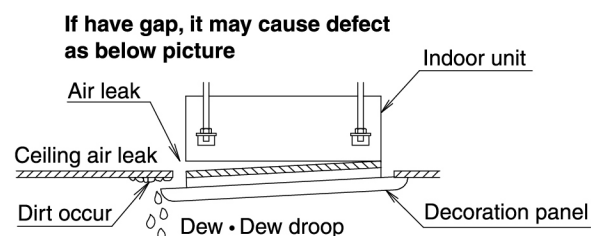


Cross-Sectional View of the Air Outlet



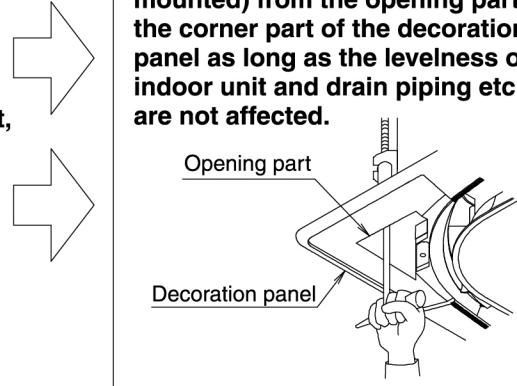
When moving the decoration panel, sufficient care should be taken to prevent the impact or stretch forces applied on the sensor part/IR Display decoration cover. (See Table 1)

《Caution》 • Shall not have gap between indoor unit and decoration panel, also between ceiling surface and decoration panel.



- Should the screw tightening be insufficient, securely tighten the screws described in ③ so that no gaps are allowed.
- If there is a gap between the ceiling surface and the decoration panel even after tightening the screws, re-adjust the height of the indoor unit.
- Re-adjust the suspension height of the indoor unit, lowering it toward the ceiling surface side.
- Loosen the screws described in ③ to re-adjust the tightening amount.
- For weak ceilings such as a system ceiling, if a gap occurs in spite of taking the above measures, reinforce the ceiling opening part for allowing to have a sufficient strength.

The height of the indoor unit can be adjusted (with the decoration panel mounted) from the opening part of the corner part of the decoration panel as long as the levelness of the indoor unit and drain piping etc. are not affected.

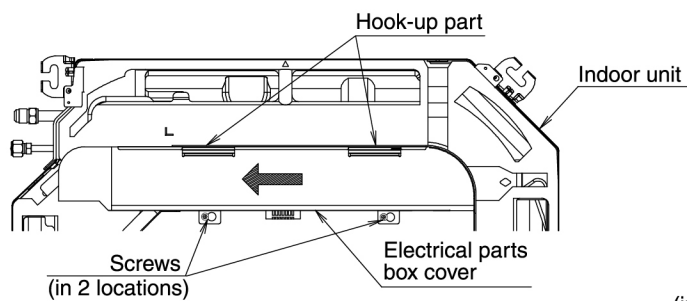


(3) Perform the wiring of the decoration panel.

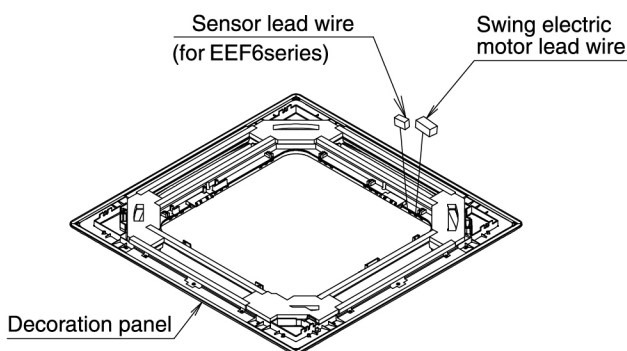
⚠ Be sure to shut off the power before performing the wiring work.

<When simultaneously performing the wiring of the indoor unit and the installation of the decoration panel>

⑥ Remove the indoor unit electrical parts box cover.



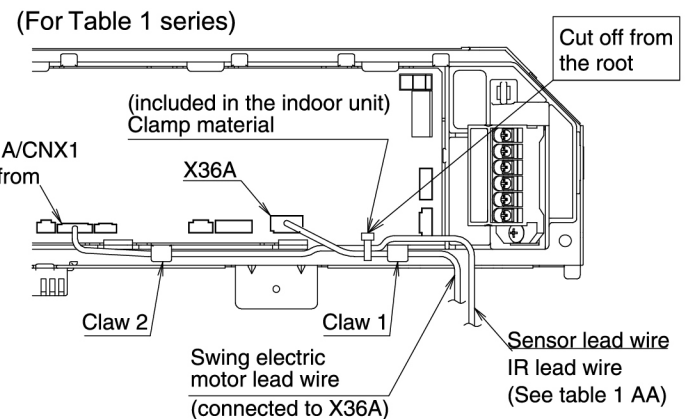
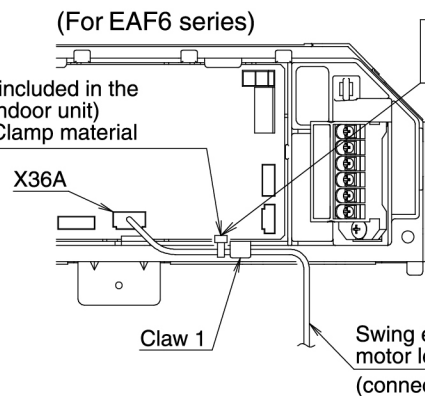
Loosen screw (2 points) and slide cover to arrow direction and unhook the hook-up part.



⑦ Securely connect the swing electric motor lead wire coming out of the decoration panel to the printed circuit board connector (X36A) of the indoor unit electrical parts box. Securely connect the sensor lead wire/IR Lead wire (See Table 1)connector to the printed circuit board connector (AA) of the indoor unit.

Without connecting to the connector, the sensor and the swing flap will not work.

⑧ (For EAF6 series) Put through the swing electric motor lead wire under the claw1 and then tighten the clamp material (included in the indoor unit) at the side of the claw. After tightening the clamping material, cut off the excess material from the root.
(For Table 1 series) Put through the swing electric motor lead wire under the claw1. The sensor lead wire/IR lead wire should not be put through under the claw1, but it should be put through under the claw2. At the side of the claw, tighten the swing electric motor lead wire and the sensor lead wire/IR lead wire by using the clamp material (included in the indoor unit). After tightening the clamping material, cut off the excess material from the root.



⑨ Mount the cover for the indoor unit electrical parts box in the reversed procedure of that in ⑥ tighten the screws to the tightening torque of $1.1 \pm 0.2 \text{ N} \cdot \text{m}$.

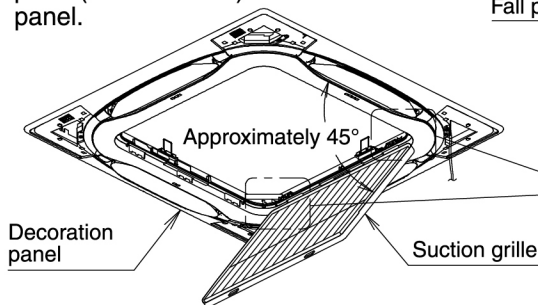
Ensure that the swing electric motor lead wire and the sensor lead wire/IR lead wire (See table 1) are not entrapped in between the electrical parts box and the cover thereof.

4 Mounting the suction grille

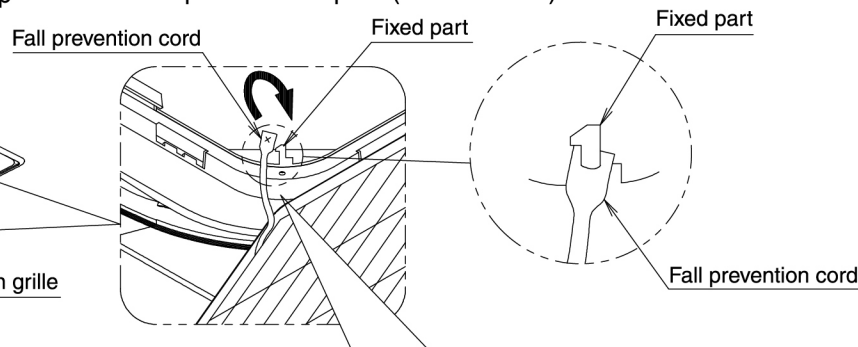
《The suction grille can be mounted in any of the four directions. Check your customer's needs before mounting.》

Mount the suction grille.

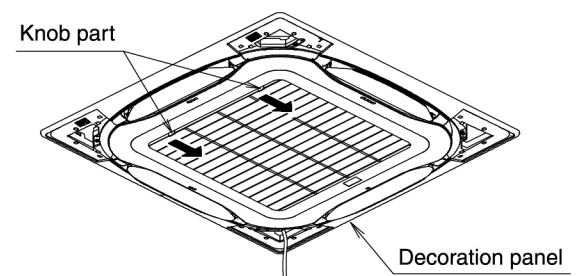
① Lean the suction grille in approximately 45° degree angle, then mount the hook-up parts (in 3 locations) to the decoration panel.



② After changing the orientation of the fall prevention cord for the suction grille as shown in the figure, hook up the cord to the fixed part of the decoration panel corner part. (in 2 locations)



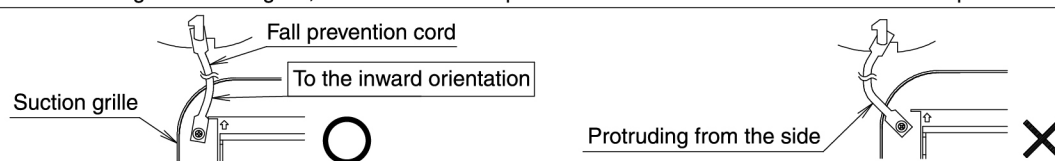
③ Slowly raise suction grille, and finally press 2 points of knob part then surely fix to decoration panel.



《Caution》

When closing the suction grille, there may be a risk of entrapping the fall prevention cord. Ensure that the fall prevention cord is not protruding from the side of the suction grille before closing it.

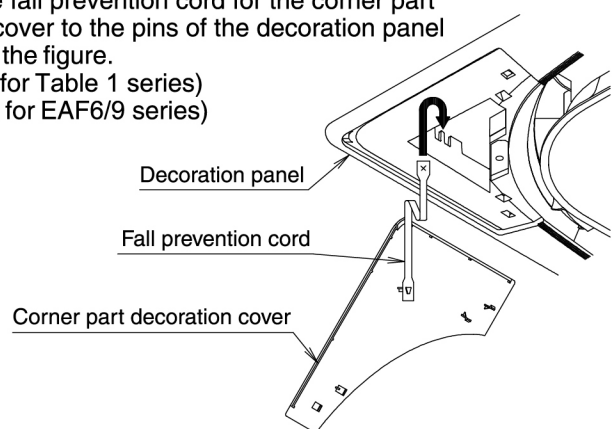
Before mounting the suction grille, ensure that the fall prevention cord is oriented inward so as not to protrude from the grille.



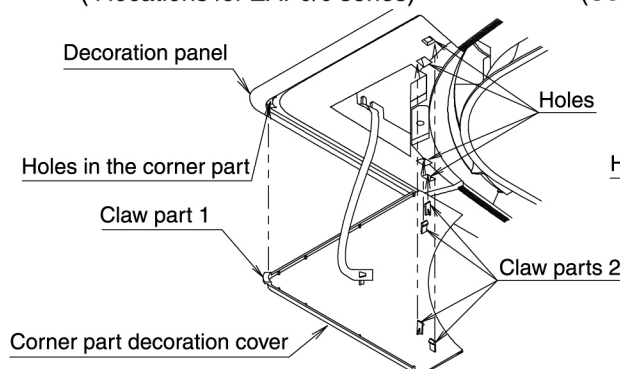
5 Mounting the corner part decoration cover

Mount the corner part decoration cover.

① Hook up the fall prevention cord for the corner part decoration cover to the pins of the decoration panel as shown in the figure. (3 locations for Table 1 series) (4 locations for EAF6/9 series)

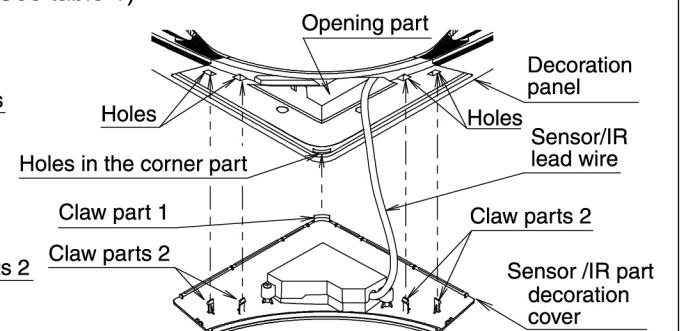


② Mount the corner part cover to the decoration panel. (3 locations for table 1 series) (4 locations for EAF6/9 series)



After inserting the claw part 1 into the corner part hole, mount the claw parts 2 (in 4 locations) by fitting into the holes.

③ Mount the sensor/IR part decoration cover to the decoration panel. Furthermore, push the sensor lead wire into the back side of the ceiling through the opening part. (See table 1)



After inserting the claw part 1 into the corner part hole, mount the claw parts 2 (in 4 locations) by fitting into the holes.

Ensure that the sensor lead wire is not entrapped in between the decoration panel and the sensor part decoration cover.