



# 6 Duct construction

**Warning** When connecting to a duct:

- 1) Before installation:
  - Indoor units must be installed in a duct with the ductwork fully sealed to the outside.
  - After installation, be sure to insulate the connection points and ducts. (See Fig. 3) Material thickness should preferably be aluminum thickness (25 mm).
  - **Do not use sealant or other sealants to seal the connection points.**

Duct connection:

- Fix the start and end of the ductwork in the duct.
- After connecting, be sure to insulate the connection points and ducts. (See Fig. 3) Material thickness should preferably be aluminum thickness (25 mm).
- **Do not use sealant or other sealants to seal the connection points.**

# 7 Electrical wiring work

**How to Perform Wiring**

**Perform electrical wiring in an authorized construction shop of the electric power company. (A notification is required for electrical work and class B grounding work.)**

- In electrical work, a qualified electrician must follow the "Technical Standards for Electrical Equipment" and "Local Electrical Regulations" and be sure to use the electrical circuit, install earthing leakage breaker according to the regulations.
- Do not turn ON the power supply (indoor unit / outdoor unit) until all work is completed. For electrical wiring, please refer to the "Electrical Wiring Diagrams" (Refer to the list of the electrical component box).
- After completing the work, make sure to connect the communication wiring (communication wiring / communication wiring) to the correct system. For information and wiring of the remote controller, please refer to the communication wiring manual.
- Multiple indoor units are installed. Name each indoor unit. After work, an earthing breaker on the terminal block must match when connecting the wiring of the outdoor unit.
- Note that if the wiring and piping are connected to different systems between the indoor and outdoor units, abnormal operation will occur. Be sure to perform class B grounding work. (The ground resistance value should be 100Ω or less).
- Use the ground wire (earth wire) of the building. Do not use the ground wire of the power supply.
- Check the wiring and piping.
- Check the lighting and the hot water.
- Do not touch the printed circuit board during wiring work. To prevent a malfunction.

## <How to connect power supply wiring, ground wire, remote control wiring and communication wiring>

**Power supply wiring / ground wire.** After connecting the power supply wiring to the indoor and outdoor units, connect the ground wire to the ground terminal. Check the ground resistance value (It should be 100Ω or less).

**Remote control wiring / communication wiring.** Connect the communication wiring to the terminal block. After connecting the communication wiring to the terminal block, check the communication wiring manual.

**Check the communication wiring.** After connecting the communication wiring to the terminal block, check the communication wiring manual.

**Check the ground wire.** After connecting the ground wire to the terminal block, check the ground resistance value.

**Precautions when wiring**

- Be sure to get form insulation treatment such as attaching an insulation sleeve when wiring. Do not remove the insulation sleeve and do not damage the insulation sleeve property.
- Do not connect the communication wiring and the power supply wiring to the same terminal block.
- Do not connect the communication wiring and the power supply wiring to the same terminal block.

**Warning** When wiring, arrange the wires so that the electrical box lid does not close, and attach the electrical box lid securely so that the wires are not pinched (pinching of electric wires or lifting of the lid of the electrical equipment box may cause electric shock or fire).

**Standard wiring equipment details**

\*According to the Local Regulation of regulation (latest)\*

Name	Model	Capacity	Dimensions	Weight
Indoor unit	DUO25AM	25kW	710(W) x 710(D) x 270(H) mm	22kg
Outdoor unit	DUO25AM	25kW	570(W) x 800(D) x 320(H) mm	22kg

**Precautions when wiring:**

- The height of the connection point and the connection wiring is 1.5m.
- Length, height, and weight of the connection wiring.
- Maximum outdoor unit - indoor unit distance: 30m.
- Maximum indoor unit - indoor unit distance: 30m.
- Maximum outdoor unit - outdoor unit distance: 30m.
- Maximum indoor unit - indoor unit distance: 30m.

**Arrangement example**

1) System: When performing remote control for one indoor unit >

2) System: When performing remote control for 2 indoor units >

**For Centralized Control**

When performing remote control for one indoor unit from two remote controllers, connect the communication wiring to the terminal block.

**Local settings and Trials**

**Check whether the wiring work of the indoor and outdoor units has been completed.**

**Check the remote controller settings:**

Item	Indoor unit	Outdoor unit
Mode	Normal	Normal
Operation mode	Auto	Auto
Temperature set point	26°C	26°C
Control mode	Remote control	Remote control

**Check the remote controller operation:**

- Press the power button on the remote controller.
- Press the mode button on the remote controller.
- Press the fan speed button on the remote controller.
- Press the temperature set point button on the remote controller.
- Press the on/off button on the remote controller.

**Please check all "check items after completion of construction"**

**Check whether the wiring work of the indoor and outdoor units has been completed.**

- The remote controller settings.
- The remote controller operation.
- The remote controller operation.
- The remote controller operation.
- The remote controller operation.

**Arrangement example**

1) System: When performing remote control for one indoor unit >

2) System: When performing remote control for 2 indoor units >

**For Centralized Control**

When performing remote control for one indoor unit from two remote controllers, connect the communication wiring to the terminal block.

**Local settings and Trials**

**Check whether the wiring work of the indoor and outdoor units has been completed.**

**Check the remote controller settings:**

Item	Indoor unit	Outdoor unit
Mode	Normal	Normal
Operation mode	Auto	Auto
Temperature set point	26°C	26°C
Control mode	Remote control	Remote control

**Check the remote controller operation:**

- Press the power button on the remote controller.
- Press the mode button on the remote controller.
- Press the fan speed button on the remote controller.
- Press the temperature set point button on the remote controller.
- Press the on/off button on the remote controller.

**Please check all "check items after completion of construction"**

**Check whether the wiring work of the indoor and outdoor units has been completed.**

- The remote controller settings.
- The remote controller operation.
- The remote controller operation.
- The remote controller operation.
- The remote controller operation.

Multi Units

FXPQ25AVM

Multi-cube type

Thank you for purchasing our product.

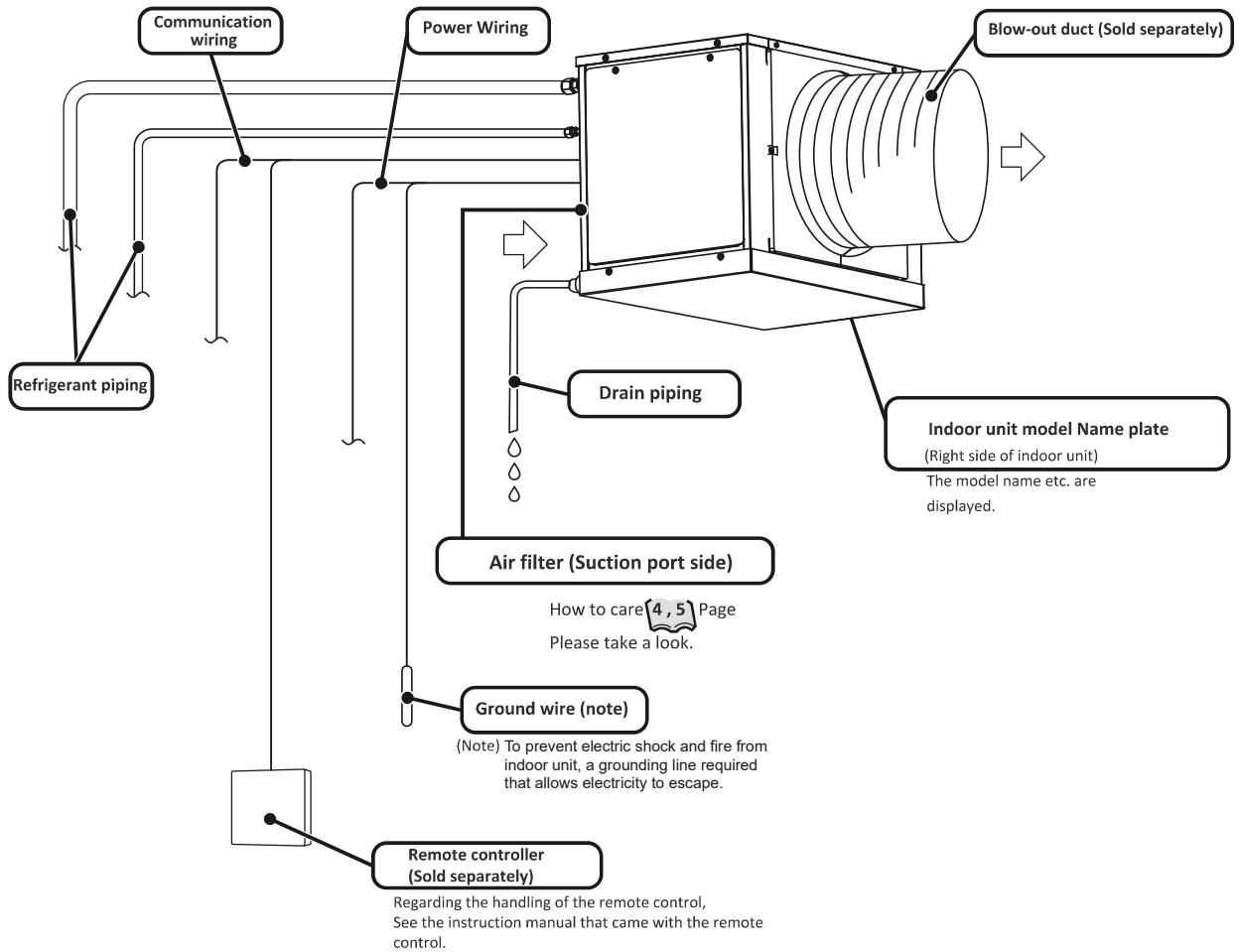
Please read this Operation manual carefully to ensure correct use.

Since this operation manual is for the indoor unit only, it should be combined with the instruction manual attached to the outdoor unit and the remote controller. Please take a look.

Receive the warranty card from the store where you purchased it and keep it in a safe place together with this operation manual.

Use it well and save electricity well

Names and functions of each part





# About Safety

## Please be sure to protect

Please read it carefully before use and use it correctly.

- The precautions shown here are classified into the following two types. All of them contain important safety information, so be sure to follow them.

 <b>Warning</b>	Due to mishandling, death or serious injury. May Occur.	 <b>Caution</b>	Items that may cause minor injuries or property damage due to improper handling. In some situations it can have serious consequences.
--	---	--	---

- The meanings of "Diagrams" used in the text are as follows.

	Please do not do it.		Absolutely wet hands. Please do not touch.		Never get it wet		Be sure to follow the instructions.
--	----------------------	--	--	--	------------------	--	-------------------------------------



### Warning Precautions for use

- Do not expose your body to too cold/warm air for a long time.**  
Not to too cold or too warm air, it may cause poor physical condition and health problems.
- If the refrigerant leaks, do not use fire.**  
The refrigerant used in the indoor unit is safe. Normally, it does not leak, but by any chance the refrigerant leaks & contact with fire by Fan heaters, stoves etc. Fire can cause poisonous gas. Ventilate the room by extinguishing fire from combustion appliances etc. Please contact the store in such case, where you purchased the product. When repairing a refrigerant leak, make sure to repair the leak. After confirming with the service person what was done, Please operate.
- Do not put your finger or stick in the suction/outlet port.**  
The fan is spinning at high speed, It may cause injury.
- The indoor unit should not clean by the customer.**  
Be sure to ask the store where you purchased the product. If you wash it the wrong way, it may causes damage to the resin part and water leakage become. Also, if the cleaning agent is applied to electrical parts or electric motors It may cause malfunction, smoke or fire.
- Do not disassemble, modify or repair**  
It may cause malfunction, water leakage, electric shock or fire. Please ask the store where you purchased the product.
- Flammable gases (hairspray, pesticides etc.), Do not use near the main body.**  
Do not wipe the body with benzene thinner, it may cause ignition or cracking.
- In case of abnormality (burnt smell etc.) immediately stop and shut off the power breaker.**  
If you continue to operate with abnormalities, you may experience a malfunction or electric shock. It may cause a fire. Please contact the store where you purchased the product.



### Caution Precautions for use

- Do not use for special purposes**  
Preservation of precision equipment, food, art, etc. Breeding and cultivation of animals and plants, etc. when used for special purposes, The performance, quality and service life may adversely affect.
- For changing the direction of the outlet duct do not hit or bend strongly.**  
It may fall off and cause injury.
- Where the air conditioner wind hits directly Do not use combustion equipment**  
May cause incomplete combustion of combustion equipment.
- Do not use other heating appliances near the indoor unit**  
The heat of the heater causes the air-filter deformation.
- Do not expose wind directly to animals and plants**  
May cause adverse effects on animals and plants
- Do not place spray cans near the warm air outlet from the indoor unit.**  
The spray may explode.
- Do not block the suction port or air outlet.**  
It may cause a decrease in capacity or a malfunction.
- Do not operate with wet hands.**  
It may cause electric shock.
- Do not wash the air conditioner with water.**  
Can cause electric shock or fire.
- Securely install the air filter.**  
May cause the air filter to fall
- Be sure to stop the operation when cleaning.**  
Shut off the power breaker. If you do not turn off the power, you will get an electric shock. It may cause injury.
- Be careful of your scaffolding when working at heights**  
If the scaffolding is unstable, it may fall. It may cause injury.



## Warning Precautions for installation

- **Do not do the installation work yourself**

If the installation is improper, it may break down or leak. It may cause electric shock or fire.  
Please ask the store where you purchased the product.



Ban

- **Do not install optional items by yourself**

(Excluding replacement items sold separately) Optional items other than those specified by us, do not use.  
Improper installation can cause malfunctions, water leaks, and It may cause electric shock or fire.  
Please contact where you purchased the product or Please ask the contact center. (See back cover)



Ban

- **Do not move or re-install yourself**

If the installation is improper, it may break down or leak. It may cause electric shock or fire.



Ban

Please ask the store where you purchased the product.

- **Install the specified earth leakage breaker**

If it is not installed, it may cause electric shock or fire.



### About installation location

- The outdoor unit has no obstacles around it, Is it installed in a well-ventilated place?
- **Do not use in the following places.**
  - Places with a lot of salt such as beach areas
  - Places with sulfide gas such as hot spring areas
  - Place where acid / alkaline vapor can enter
  - Where there is a lot of voltage fluctuation.
  - Mounting on vehicles / ships, etc.
  - Where there is a machine that generates electromagnetic waves
- **Are the outdoor units equipped with snow protection measures?**  
For details such as snow-proof hood, please contact the store where you purchased the product.

### About drainage of drain pipe

- Is the drain pipe constructed to ensure drainage?  
If the drain pipe is not drained during cooling operation, Dust is clogged in the drain pipe, and from the indoor unit It may cause water to leak.  
Stop the operation and consult the store where you purchased the product.

### Consider driving noise

- **Do you choose the following locations?**
  - Sufficiently withstands the weight of the air conditioner and does not increase driving noise or Vibration.
  - The wind and driving noise from the air outlet of the outdoor unit can be a nuisance to the neighborhood.
- **Are there any obstacles near the outlet of the outdoor unit?**  
Functional deterioration due to reduced air volume, increased operating noise, and equipment failure It may cause it.
- If you hear an abnormal noise during use, consult the store where you purchased the product.

### About Electrical work

- Qualification is required for electrical work and class D grounding work.  
Ask the store where you purchased the product and do not do it yourself.
- Are you using a circuit dedicated to air conditioners?
- If the power supply wiring is damaged, a qualification is required to replace it. To prevent danger when replacing the wiring, contact the store where you purchased the product.
- Install the earth leakage breaker according to the regulations  
If the earth leakage breaker is not installed, it may cause electric shock or fire.

# How to care

## Warning

- Do not use flammable gas (hairspray, pesticide etc.) near the main unit. Do not wipe the body with benzene thinner. It may cause ignition or cracking.



## Caution

- **Do not wash the air conditioner with water.**  
It may cause electric shock or fire due to electric leakage.
- **Securely attach the air filter.**  
Otherwise it may cause the air filter falling.



No water getting wet



- **Be sure to stop the operation when cleaning.**  
Shut off the power breaker  
If you do not shut off the power, it may cause electric shock or injury.
- **Be careful of your scaffolding when working at heights.**  
If the scaffolding is unstable, it may fall.  
It may cause injury.



Please

- Do not remove the air filter except when cleaning. It may cause a malfunction.
- Do not attach anything other than a regular air filter (kitchen Clothes etc.) to the suction port. Performance may deteriorate, causing freezing and water leakage.

## How to clean the air filter

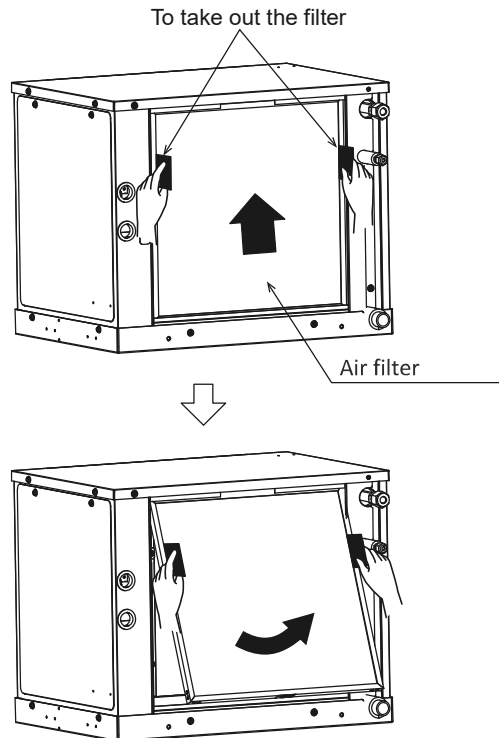
if "It's time to clean the filter" Displayed on the remote control, clean it.

- Displayed after driving for 1250 hours (equivalent to half a year).  
\* Product operating time is 10 hours / day, Converted at 2500 hours / year
- If the dirt cannot be removed, Replace the air filter.  
(Replacement long life filter is sold separately.)

6 See page

### 1. Take out the air filter.

By holding two air filters handles.  
Please take it out.



(Continued on the next page.)

## How to clean the air filter ②

### 2. Clean

Clean the dirt with a vacuum cleaner or water.

If it is very dirty  
please wash  
with soft brush  
and neutral detergent



After draining, in the  
shade Please dry.

Please

- Do not wash with hot water above 50 °C.  
It may cause discoloration or deformation.
- When drying, do not burn with fire. It may cause  
burning.

### 3. Install the air filter.

Please install in the reverse order.

### 4. Remote control

"It's time to clean the filter"

Turn off the display.

- From the main menu of the remote control  
( Display in both running and stopped states )  
you can erase it. Please reset the filter sign. )

For details, see the instruction manual that came with  
the remote control.

### 5. The wind blows from the outlet

Check if there is any abnormal noise.

## How to clean the air outlet, exterior, and remote control

- Wipe it with a soft cloth.
- If the dirt cannot be removed, use a neutral detergent  
diluted with water. After squeezing it well and wiping off the  
dirt, Wipe clean with a dry cloth.

- Do not use hot water above 50 °C  
It may cause discoloration or deformation.
- Do not use Gasoline, benzene, thinner.  
Do not use commercially available liquid insecticides.  
It may cause discoloration or deformation.

## Basic Driving Method

For operations such as cooling / heating / blowing operation, changing and setting the cooling / heating selection, See the "Basic operation" section of the instruction manual attached to the remote controller and the "Operation" section of the instruction manual attached to the outdoor unit.

- During heating / cooling operation, don't let the warm / cold air from the air condition hit a person directly.  
Change the direction of the outlet duct so that the wind does not hit it directly.
- After operating the indoor unit, check that the air is blowing from the air outlet.  
If there is no wind, the fan motor may be out of order, so please contact the store where you purchased the product.

## About blowout temperature control

If you have set the outlet temperature control, please note the following.

- Set all indoor units of the same system in the same space.  
Due to the temperature difference of the intake air, the outlet temperature tends to deviate.
- If the air volume is not the same for each indoor unit, the outlet temperature is likely to deviate.
- If the set value of the outlet temperature is not the same for each indoor unit, the timing and frequency of thermo ON / OFF are likely to be biased. The setting range of the air-conditioning outlet temperature is 18 to 28 ° C.
- Depending on the suction temperature condition and the operating capacity of the indoor unit, the outlet temperature may not reach the set value.  
Also, depending on the environment (temperature / humidity / installation conditions), the temperature may deviate by about 5 ° C from the set temperature.
- Due to outside air conditions and machine protection control, the outlet temperature may fluctuate with respect to the set temperature.
- Cannot be confused with other indoor units or suction temperature controllers.

## About Optional Items

We have prepared special parts so that you can use the functions of the air conditioner widely.

When you need it, please specify it as our genuine product. For details, please contact the store where you purchased the product.



### Warning

- Do not install optional items by yourself (excluding replacement optional items) Do not use optional items other than those specified by us  
Improper installation may cause malfunction, water leakage, electric shock, or fire.  
Ask the store where you purchased the product or the contact center. (See back cover)



### Replacement sold separately

- **Replacement long life filter** ..... Replace when the dirt cannot be removed.

### Optional item

- **Blow-out duct** ..... You can extend the air outlet and change the wind direction freely.
- **Outlet adapter** ..... The outlet diameter can be changed to  $\phi 250$  mm. (Standard is  $\phi 350$ mm)
- **Wind direction adjustment grill** ..... You can change the wind direction manually.
- **Oil mist filter** ..... Can be used in places with oil droplets.



## Product type and driving noise

Item		Indoor unit model name	FXPQ25AVM
Type	Machine Function	Air conditioning combined type (Cooling & Heating)	
	Unit composition	Separate type	
	Condenser cooling method	Air-cooled	
	Blower Method	Duct connection type	
	Rated cooling standard capacity (kW)	2.8	
	Rated heating standard capacity (kW)	3.2	
Driving sound dB(A)	<b>Sound Pressure level</b>	51	

- (Note) ● Driving sound (sound pressure level) is JIS B 8616: 2015 It is a value that confirms to (Japanese Industrial Standards).
- This value is subject to change without notice due to product improvement.
  - Ability is the value based on the test conditions specified in JIS B 8616: 2015.
  - When using with direct blowing, the driving noise will be louder.

## When something goes wrong

- Before requesting service, see the "Troubleshooting" section of the instruction manual that came with the remote control. Alternatively, see the "What if something goes wrong" section of the instruction manual that came with the outdoor unit.

# After-sales Service and Warranty

## After-sales service

### Warning

- **Do not disassemble, modify or repair**

It may cause malfunction, water leakage, electric shock or fire.

Please ask the store where you purchased the product.



Ban

- **Do not move or re-install yourself**

If there is a defect in the installation,

It may cause malfunction, water leakage, electric shock or fire. Please ask the store where you purchased the product.



Ban

- **If the refrigerant leaks, do not use fire.**

The refrigerant used in the indoor unit is safe and usually does not leak,

if the refrigerant leaks into the room and come into contact with a fire such as a fan heater, stove, or stove. It may cause toxic gas to be generated.

Extinguish the fire from the combustion equipment, ventilate the room, and contact the store where you purchased the product. In the case of repair of a refrigerant leak, make sure that the leaked part has been repaired.

Please check with a service person before driving.



Ban

### About Freon

#### R410A refrigerant

This machine has CFCs with a GWP (Global Warming Potential) of 2090.

When relocating, repairing, or disposing of products to prevent global warming.

It is necessary to collect fluorocarbons.

### ■ When requesting repair Please let us know the following.

- Model name
- Serial number and installation date } Describe in the warranty card
- Failure status-as detailed as possible (Please let us know what is displayed on the remote control.)
- Address, name, phone number

#### ■ About repair, after the free repair warranty period has expired

Please contact the store where you purchased the product or the contact service center.

If the function can be maintained by repair, we will repair it for a fee at the request of the customer.

#### ■ Recommended maintenance and inspection contract.

After using the indoor unit for several seasons, the inside may become dirty, causing performance degradation and water leakage.

Since specialized skills are required for disassembly and internal cleaning, we recommend a maintenance and inspection contract (charged) in addition to normal maintenance.

#### ■ About inspection and maintenance cycle guideline.

[Please note that the maintenance cycle does not indicate the warranty period.]

Table 1 assumes the following usage conditions.

(1) It must be in normal use without frequent operation and stoppage.

(Although it depends on the model, the number of times of operation / stop in normal use is 6 times / hour or less as a guide.)

(2) The operating time of the product is 10 hours / day and 2500 hours / year.

● **Table 1. List of "inspection cycle" and "maintenance cycle"**

Main Part Name	inspection period	Maintenance cycle [Replacement or repair]
Compressor	1 year	20,000 hours
Electric motor (fan etc.)		20,000 hours
Printed circuit boards		25,000 hours
Heat exchanger		5 years
Electronic expansion valve		20,000 hours
Valves (solenoid valves, four-way valves etc.)		20,000 hours

Main Part Name	Inspection period	Maintenance cycle [Replacement or repair]
Sensor (Thermistor, pressure sensor etc.)	1 year	5 years
Drain pan (*)		8 years
Remote control and switches		25,000 hours

**Note 1.** This table shows the main parts. For details, please check based on the maintenance and inspection contract.

**Note 2.** This maintenance cycle indicates the estimated period until maintenance is performed so that the product can be used with peace of mind for a long time. Please use it for proper maintenance design (budgeting maintenance and inspection costs etc.). In addition, the inspection / maintenance cycle may be shorter than this table depending on the contents of the maintenance / inspection contract.

**Note 3.** The "maintenance cycle" and "replacement cycle" are based on usage conditions (long operating time, high frequency of operation / stop etc.) and usage environment (high temperature / high humidity etc.).

\* Regular inspection is required when using the product in a building subject to the Building Sanitation Law (former Building Management Law). For details, please contact the store where you purchased the product or the contact center.

■ **About replacement cycle guideline for consumable parts**

[Please note that the replacement cycle does not indicate the warranty period.]

• Table 2. List of "exchange cycles"

Main Part Name	Inspection period	Replacement cycle
Long life filter	1 year	5 years
fuse		10 years
Crankcase heater		8 years

**Note 1.** This table shows the main parts. For details, please check based on the maintenance and inspection contract.

**Note 2.** This replacement cycle indicates the approximate period until replacement occurs so that the product can be used with peace of mind for a long time. Please use it for proper maintenance design (budgeting of parts replacement cost etc.).

**Note 3.** The "maintenance cycle" and "replacement cycle" are based on usage conditions (long operating time, high frequency of operation / stop, etc.) and usage environment (high temperature / high humidity etc.).

\* Regular inspection is required when using the product in a building subject to the Building Sanitation Law (former Building Management Law).

For details, please contact the store where you purchased the product or the contact center.

In addition, the warranty may not cover failures caused by disassembly or internal cleaning by a vendor other than the one designated by us. please note.

■ **About relocation and disposal**

If you move or re-install the air conditioner due to a move etc., specialized technology is required.

Please contact the contact center.

This product is a "Class 1 Specified Product" stipulated in the "CFC Emission Control Law".

- When disposing or recycling (reusing parts and materials) of this product, it is obligatory to collect, transport, destroy, and manage the refrigerant based on the "Freon Emission Control Law".
- When moving or re-installing this product, if it is necessary to recover the refrigerant, it is obligatory to recover, transport, and destroy the refrigerant based on the "Freon Emission Control Law". In either case, please contact the store where you purchased the product or the contact center.
- When disposing of the product, dispose off it properly according to local regulations.

■ **If you have any questions**

For after-sales service, contact the store where you purchased the product or the contact center.

**About Warranty**

- This product comes with a warranty card.

For the warranty card, fill in the required items at the store where you purchased the product. We will hand it to you, so please check the items listed before

Please keep it in a safe place if you manage the air conditioner.

- If you request free repair within the warranty period, please purchase it. Contact your dealer or contact center

Please be sure to show the "warranty card" when repairing.

If not shown, even during the free repair warranty period you may be charged a service fee, so

Please keep the warranty card in a safe place.

**DAIKIN AIRCONDITIONING INDIA PVT. LTD.**

12th floor, Building No. 9,  
Tower A, DLF Cyber City, DLF Phase-III  
Gurugram - 122002, Haryana (India)  
Tel: 0124-4555444  
Fax: 0124-4555333