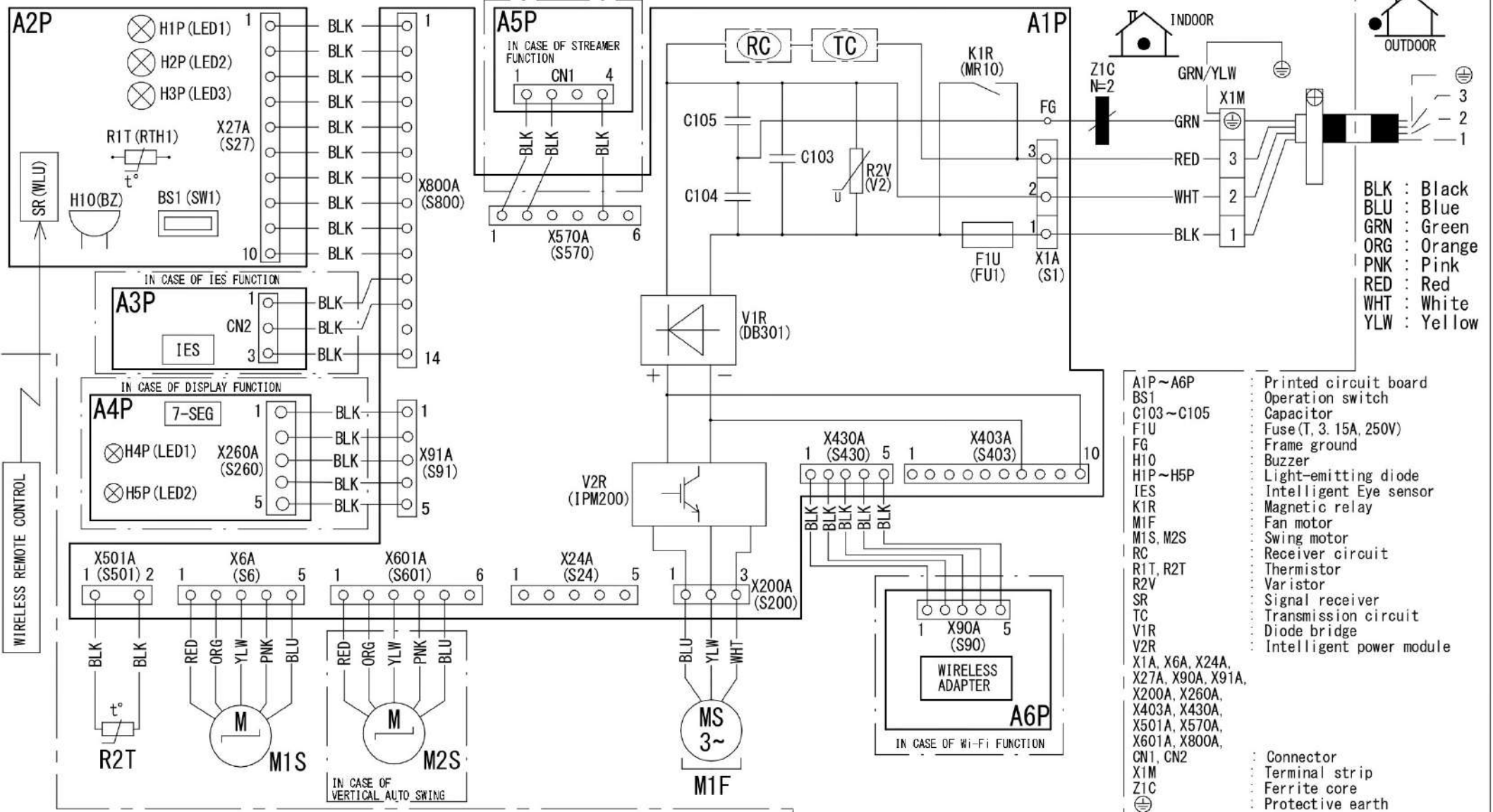


FIELD WIRING

WIRING DIAGRAM



- BLK : Black
- BLU : Blue
- GRN : Green
- ORG : Orange
- PNK : Pink
- RED : Red
- WHT : White
- YLW : Yellow

- A1P~A6P : Printed circuit board
- BS1 : Operation switch
- C103~C105 : Capacitor
- F1U : Fuse (T, 3, 15A, 250V)
- FG : Frame ground
- H10 : Buzzer
- H1P~H5P : Light-emitting diode
- IES : Intelligent Eye sensor
- K1R : Magnetic relay
- M1F : Fan motor
- M1S, M2S : Swing motor
- RC : Receiver circuit
- R1T, R2T : Thermistor
- R2V : Varistor
- SR : Signal receiver
- TC : Transmission circuit
- V1R : Diode bridge
- V2R : Intelligent power module
- X1A, X6A, X24A, X27A, X90A, X91A, X200A, X260A, X403A, X430A, X501A, X570A, X601A, X800A, CN1, CN2 : Connector
- X1M : Terminal strip
- Z1C : Ferrite core
- ⊕ : Protective earth

CAUTION. WHEN THE MAIN POWER IS TURNED OFF AND THEN BACK ON AGAIN, OPERATION WILL RESUME AUTOMATICALLY.